

### FEATURES-Small, crimp style connector for high frequency co-axial cables (up to 1.0 GHz)

- \* Maintains excellent VSWR through superior design and high quality materials.
- \* High reliable crimp connection
- \* Compact design suits communication equipment.
- \* Jacks available in vertical, 45 deg and 20 deg style.

### SPECIFICATIONS

CONTACT RESISTANCE	25mΩ OR LESS (1.5D) 35mΩ OR LESS (1.5C, COAXIAL CABLE AND JACK)		
INSULATION RESISTANCE	MIN. 50MΩ, AT DC250V		
WITHSTANDING VOLTAGE	AC250V (FOR ONE MINUTE)		
IMPEDANCE CHARACTERISTIC	50Ω, 75Ω		
TEMPERATURE RANGE	-40°C TO +85°C		
RECOMMENDED PCB DIM	THICKNESS: 1.6mm		
RECOMMENDED COAXIAL CABLE RANGE	1.5C, 1.5D (OVERALL DIA: ø2.8mm-3.2mm) THIN WIRES * BUT EXCEPT CP WIRE		
INITIAL ENGAGING FORCE	5.0kgf OR LESS		
INITIAL DISENGAGEMENT FORCE	1.0kgf OR GREATER, 4.0kgf		
MATERIALS	PIN HEADER	INSULATOR: FR-TPX PLUG CASE: BRASS, COPPER & SILVER-PLATE PIN: COPPER & SILVER-PLATE	
	MINIATURE PIN JACK	LOW PROFILE TYPE 3	INSULATOR: FR-TPX JACK CASE: P.B., SILVER-PLATE JACK TERMINAL: P.B., SILVER-PLATE
		LOW PROFILE TYPE 4	INSULATOR: FR-TPX JACK CASE: P.B., SILVER-PLATE JACK TERMINAL: P.B., SILVER-PLATE
		V TYPE	INSULATOR: FR-TPX JACK CASE: P.B., SILVER-PLATE JACK TERMINAL: P.B., SILVER-PLATE

### PIN HEADER/MINIATURE PIN JACK



#### PIN HEADER

TMP-K01X-A1(FOR THIN WIRES)

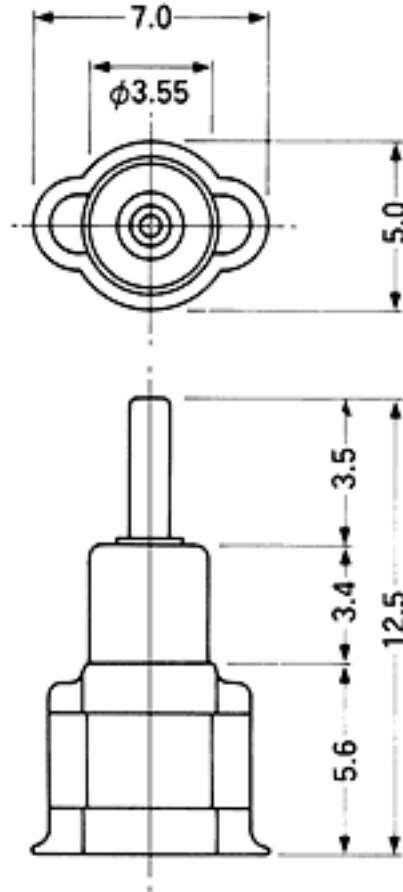
#### MINIATURE PIN JACK

TMP-S01X-B(LOW PROFILE TYPE 3)

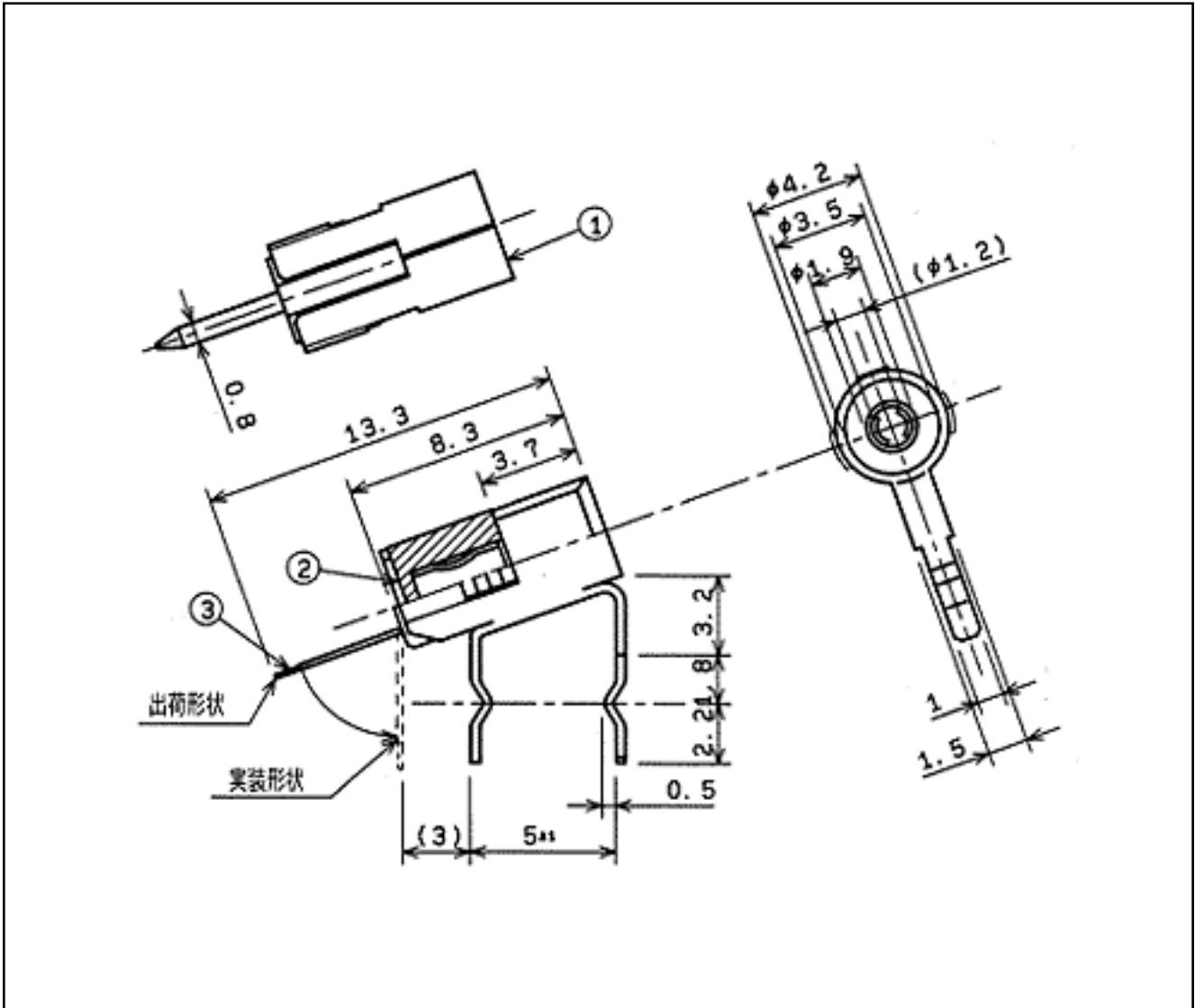
TMP-S01X-C1(LOW PROFILE TYPE 4)

TMP-J01X-V6(V TYPE)

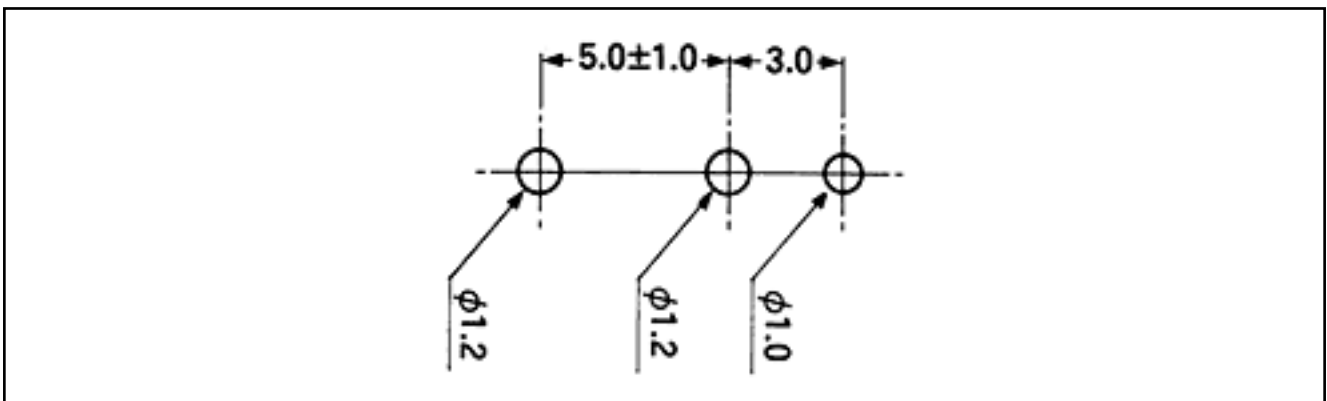
### ■ Plug (for thin wires) [Layout diagram]



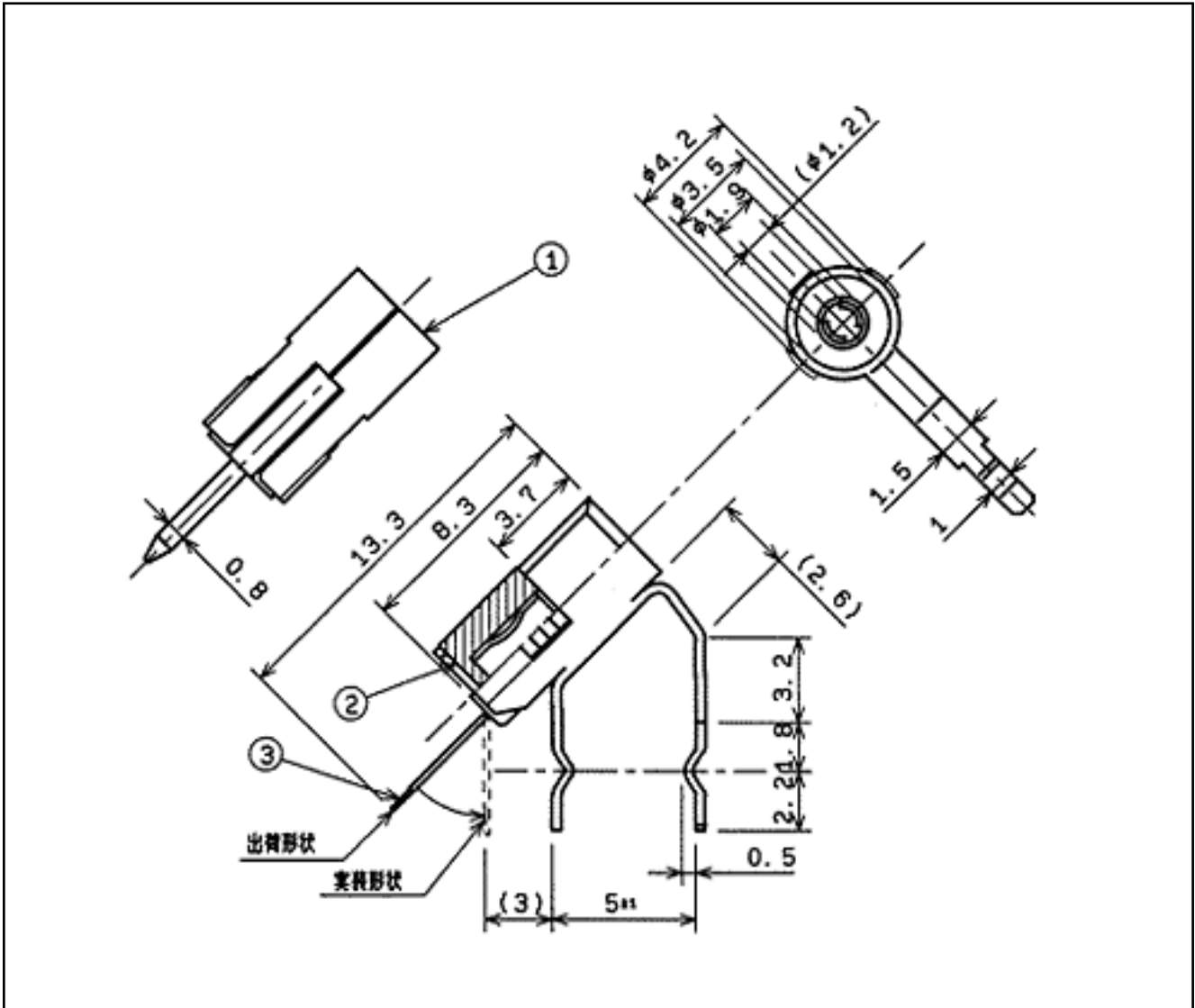
### Miniature pin jack (low profile type 3) [Layout diagram]



### PCB hole size and layout diagram



### Miniature pin jack (low profile type 4) [Layout diagram]



### PCB hole size and layout diagram

